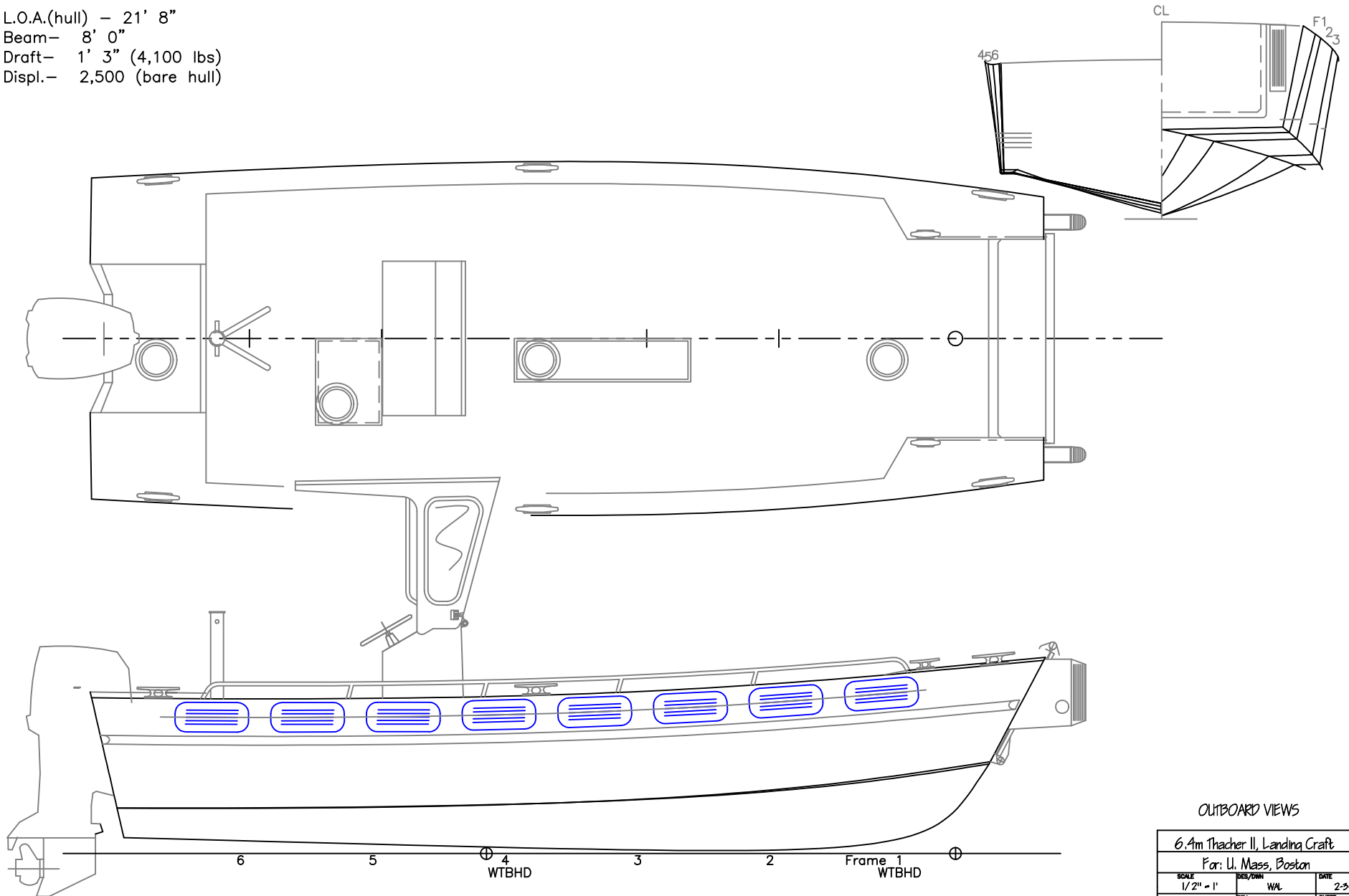


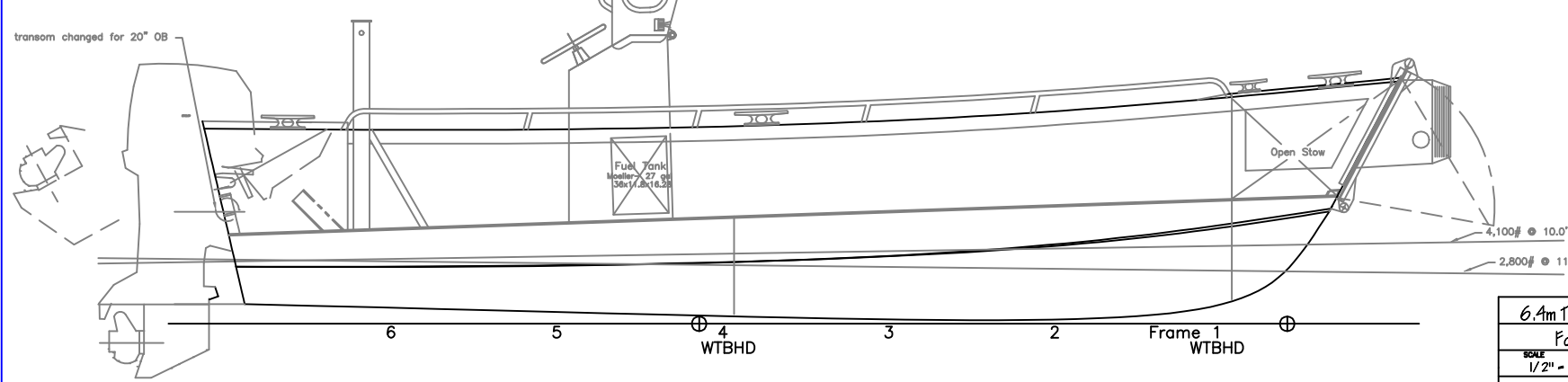
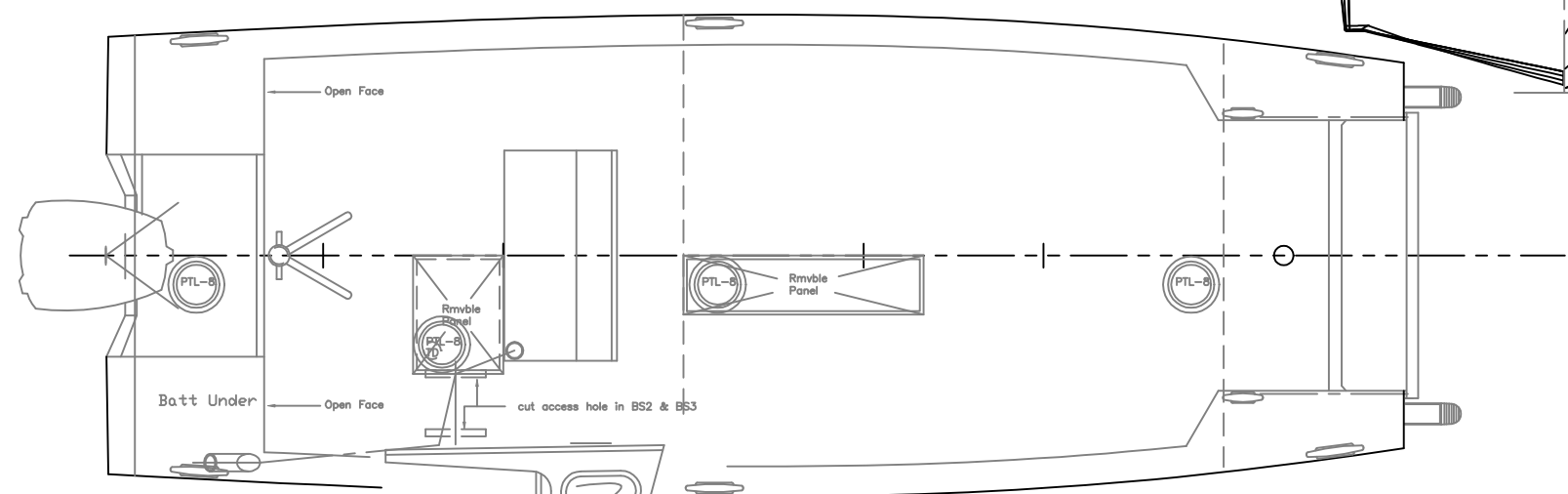
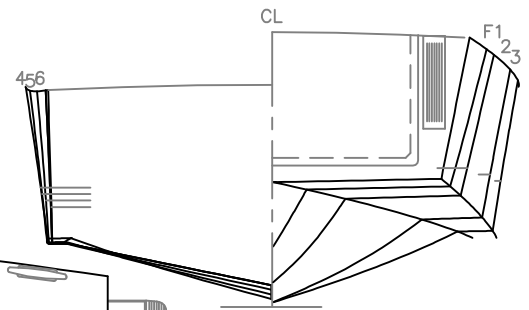
L.O.A.(hull) - 21' 8"
 Beam- 8' 0"
 Draft- 1' 3" (4,100 lbs)
 Displ.- 2,500 (bare hull)



OUTBOARD VIEWS

6.4m Thacher II, Landing Craft			
For: U. Mass, Boston			
SCALE	DWG/DATE	DATE	
1/2" = 1'	WAL	2-3-00	
REV	6-1-00	SHEET	
Winninghoff Boats, Inc. Warehouse Lane, Rowley, MA 01868			DWG NO. 1746P

L.O.A.(hull) - 21' 8"
 Beam - 8' 0"
 Draft - 1' 3" (4,100 lbs)
 Displ. - 2,500 (bare hull)



INBOARD VIEWS

6.4m Thatcher II, Landing Craft			
For: U. Mass, Boston			
SCALE	DESIGN	DATE	
1/2" = 1'	WAL	2-3-00	
REV	6-1-00	SHEET	
Winninghoff Boats, Inc. Warehouses Lane, Rowley, MA 01868			DWG NO. 1745B