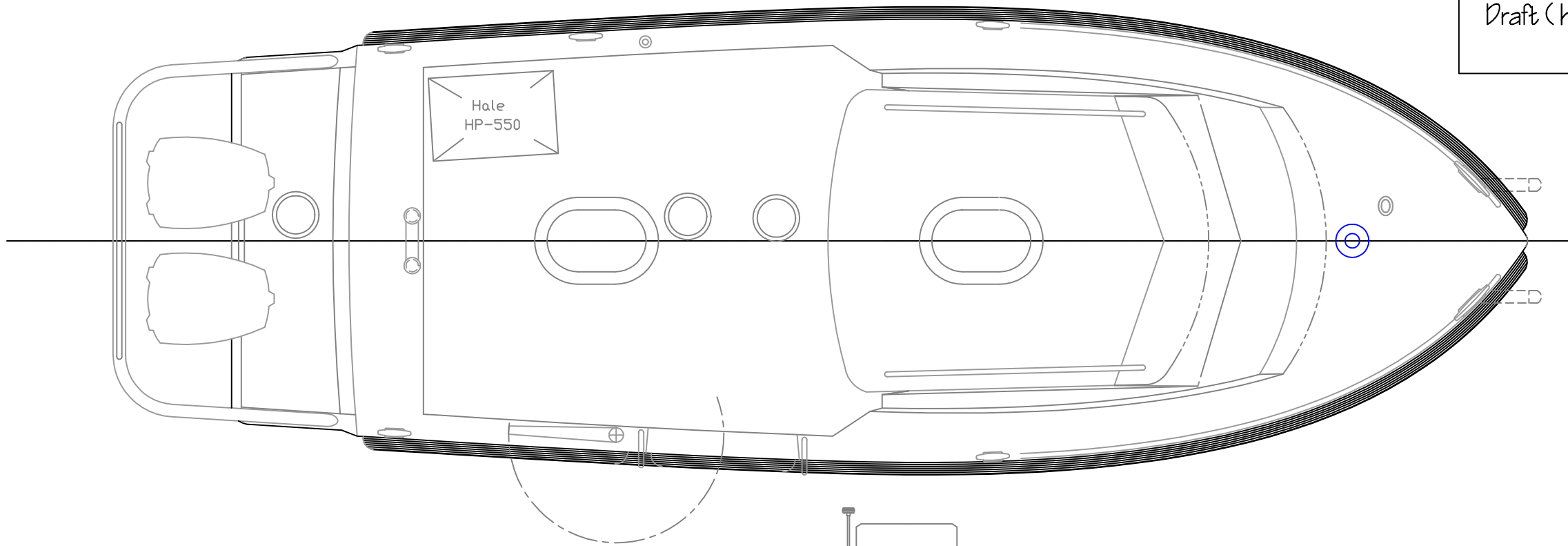
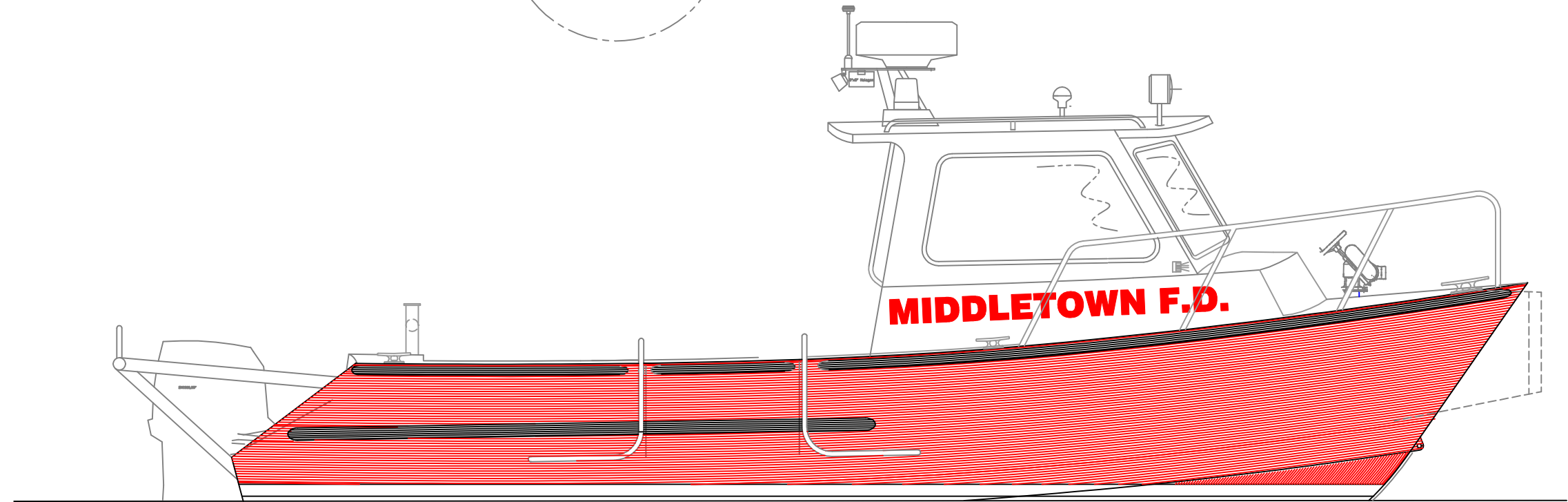


LOA (hull) - 26'0"  
 Beam (hull) - 9'0"  
 Displ. - 6,500 (Normal Operating)  
 Draft (hull) - 1'5"



Representative Drawing Only




PRELIMINARY OUTBOARD VIEWS

RESPONSE FR-7.9- FIRE / RESCUE

For: Middletown, CT

SCALE 3/8" = 1'	DES/DWN WAL	DATE 8/16/02
--------------------	----------------	-----------------

REV	SHEET
-----	-------

 Winninghoff Boats, Inc. Warehouse Lane, Rowley, MA 01969	DWG NO. 1926B
---	------------------